

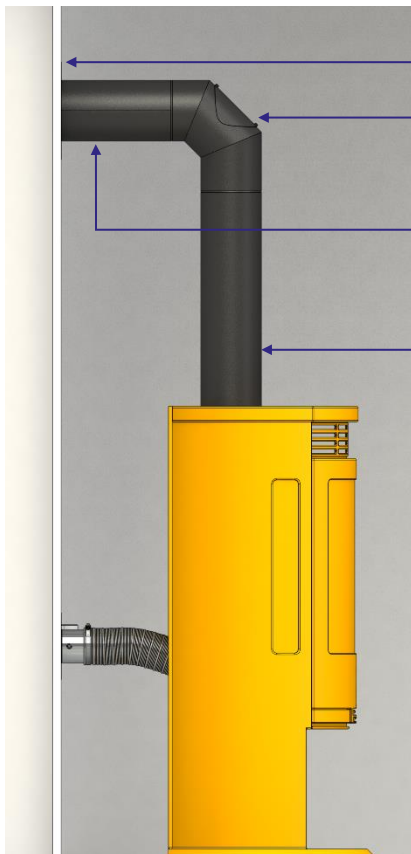


- certificated double wall connecting pipe **TEC-PROTECT**

CE-Certification number 0036 CPR 91323 027

(further information: see Declaration of Performance No. 91323 027 DoP 2015-02-23)

1) System construction variant



Storm collar

Elbow 90°
e.g. with door

Straight pipe element 250mm and
additional adaptor from TEC-PROTECT
to single wall (wall sleeve)

Straight pipe element 500mm and
additional adaptor from stove to
TEC-PROTECT

2) Mounting and regulations

The installing has to be performed professionally according to the installing instructions respectively according to the valid national regulations.

In Germany in particular DIN V 18160-1, as well as the applicable rules of regional building (LBauO), firing regulations (FeuVO), relevant DIN standards and all other building- and safety regulations.

Wir empfehlen daher die Ausführung von einem Fachunternehmen durchführen zu lassen.



Attention! Before the installation the design of the system has to be clarified with the concerned district chimney sweeper. The suitability and safe usability of the exhaust system is to be certified by a competent district chimney sweeper before commissioning.

Using tools can be dangerous to the user. For this reason, the corresponding operating instructions and accident prevention regulations must be adhered to and the necessary protective equipment/gear must be used!

3) Minimum distance to combustible materials

Nominal diameter (Ø- in mm)	Ventilated distance to combustible building materials – without radiation protection.
130	200 mm M ¹
150	
¹ M – measured / tested	

Table 1: Distance to combustible materials

The distance of 200 mm to combustible materials refers to a ventilated installation throughout the whole length (see table 1)!



1. Note:

In the operating instructions of your oven, the safety distances are mentioned.

These must be complied with!



2. Note:

If the connecting pipe is passed through components made of or with combustible building materials, the local resp. national regulations apply. In addition, approved and tested wall, ceiling and roof penetrations can also be used and their installation instructions must be observed



Attention!

In an operating fireplace, the connecting pipe is usually very hot! The surface should therefore be provided with a suitable non-flammable protection against inadvertent contact. The contact protection must not hinder the rear ventilation!



+
If hot surfaces are touched, wear appropriate protective clothing.

4) Mounting of the elements

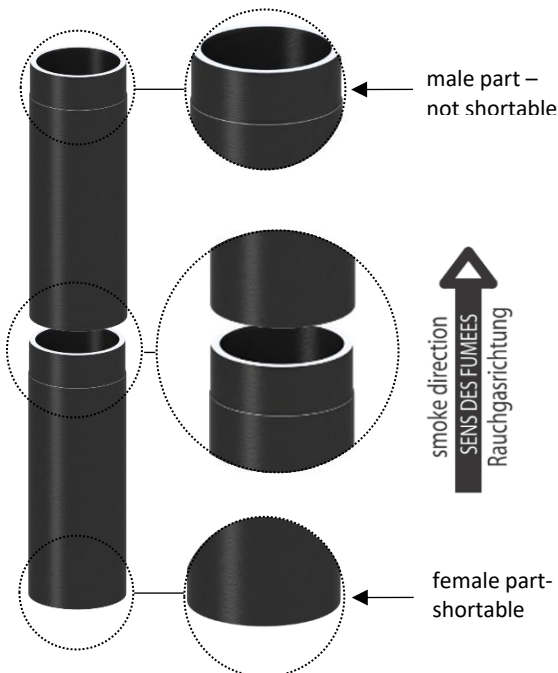


Figure 1: Connection straight pipe element

All components have to be mounted in a way, that the nozzle of the inner pipe is above or rather in flow direction of the exhaust gas. The connection is made by simply plugging together (see Fig. 1).

For **rotatable ovens**, the flue pipe and wall sleeve must be fastened so that they do not slide apart!



3. Note:

Length elements can be shortened as required. **The drawn-in side (male part) must always be completely preserved.** Inner and outer pipe can be shortened together

The shortening of the elements may only be carried out with tools which are suitable for the machining of stainless steel, e.g. B. angular grinder with stainless steel cutting disc.

After shortening, the insulation must be removed by 60 mm in the area of the smooth plug-in connection (female part), so that plug-in compatibility is maintained.



4. Note:

The painted surface of the pipes and fittings are very sensitive, please work carefully e.g. wear gloves. See also point 5 "First heating" and point 6 "Cleaning".

5) First heating

All painted components were coated and baked in the factory with a heat-resistant Senotherm paint. When heating the first time the paint dries up. This can cause unpleasant odours.

Therefore attention should be paid to the following advice:

- Open the windows in the room so that the odours released can escape.
- Avoid touching painted surfaces, as the paint is still soft during the curing time.
- After operation at rated power, curing is complete.

6) Clean-out opening

Clean the elements only when they have cooled down.

Outside:

The first cleaning may only be carried out when the paint has completely dried. This is the case after the first heating up. Glass cleaners or other solvent-based cleaners must not be used. It is best to use a damp, lint-free cloth for cleaning, do not scrub.

Inside:

Depending on the heating behaviour and fuel flow, the connecting pieces are to be cleaned with a suitable broom or smiliar. If a fall of combustion residues into the fireplace is unavoidable, these must be removed after cleaning the pipes!

7) Final notes

The connecting pipe TEC-PROTECT was developed and tested for gas leaks, corrosion resistance and secure installation. Therefore, only original parts of the TECNOVIS systems must be used. In addition, the manufacturer's specifications and installation instructions have to be met.

Errors and technical changes are reserved!



Lessingstraße 20 · 63110 Rodgau
Tel.: +49 (0) 37600 56398 0 · Fax: +49 (0) 37600 56398 2
mail@tecnovis.de · www.tecnovis.de