

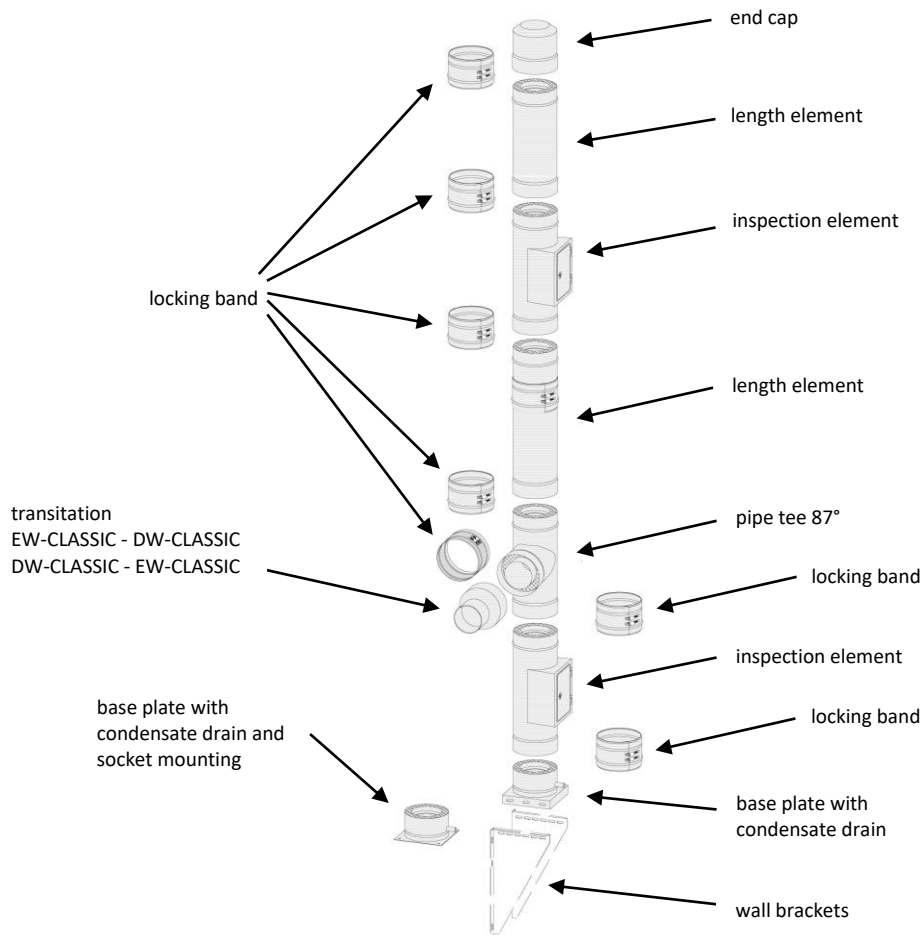


- certificated double wall flue system TEC-DW-CLASSIC

CE-Certification number 0036 CPR 91323 001

(further information: see Declaration of Performance No. 91323 001 DoP 2015-02-23)

1) System construction variant



2) Minimum distance to combustible materials

0.1	Used as system chimney (solid fuel) with 32mm insulation, operation mode in negative pressure up to 400°C	EN 1856-1	T400 – N1 – D – V3 – L50060	G50 (= 50mm) G75 (= 75mm) G100 (= 100mm) G200 (= 200mm)	Ø 80 – 300 Ø 350 – 450 Ø 500 – 600 Ø 650 – 1000
0.2	Used as exhaust gas line (oil, gas) with 32mm insulation, operation mode in negative pressure up to 400°C	EN 1856-1	T400 – N1 – W – V2 – L50060	O20 (= 20mm) O30 (= 30mm) O40 (= 40mm) O80 (= 80mm)	Ø 80 – 300 Ø 350 – 450 Ø 500 – 600 Ø 650 – 1000
0.3	Used as system chimney (solid fuel) with 32mm insulation, operation mode in negative pressure up to 600°C	EN 1856-1	T600 – N1 – D – V3 – L50060	G50 (= 50mm) G75 (= 75mm) G100 (= 100mm) G200 (= 200mm)	Ø 80 – 300 Ø 350 – 450 Ø 500 – 600 Ø 650 – 1000
0.4	Used as exhaust gas line (oil, gas) with 32mm insulation, operation mode in negative pressure up to 600°C	EN 1856-1	T600 – N1 – W – V2 – L50060	O50 (= 50mm) O75 (= 75mm) O100 (= 100mm) O200 (= 200mm)	Ø 80 – 300 Ø 350 – 450 Ø 500 – 600 Ø 650 – 1000

3) Mounting and regulations

The installing has to be performed professionally according to the installing instructions respectively according to the valid national regulations. In Germany in particular DIN V 18160-1, as well as the applicable rules of regional building (LBauO), firing regulations (FeuVO), relevant DIN standards and all other building- and safety regulations.

The required cross section has to be determined according to DIN EN 13384 and has to be rechecked by the executing specialist firm.

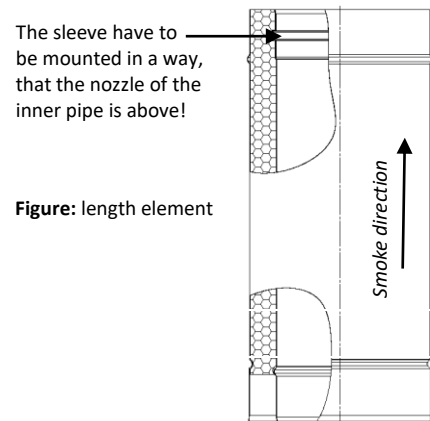


Before the installation the design of the system has to be clarified with the concerned district chimney sweeper. The suitability and safe usability of the exhaust system is to be certified by a competent district chimney sweeper before commissioning.

4) Construction of pipes

All components have to be mounted in a way, that the nozzle of the inner pipe is above or rather in flow direction of the exhaust gas (see picture), while the nozzle of the outer pipe has to show converse to the flow direction of the exhaust gas. Every surge is protected by a locking band. You can choose from elements with 1000 mm, 500 mm and 250 mm manufactured length.

Note: If the storm collar has to be placed on a locking band, then the assembly is only possible with a specially produced storm collar made according to customer specifications!

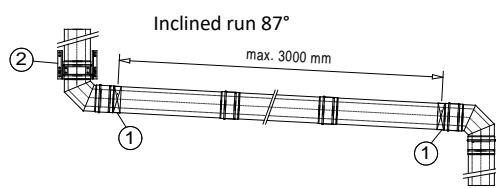


5) Clean-out element

The element with clean-out opening is set on the base plate. The position of the clean-out and inspection opening has to be planned according to the valid standards or rather the local regulations and has to be clarified with the concerned district chimney sweeper.

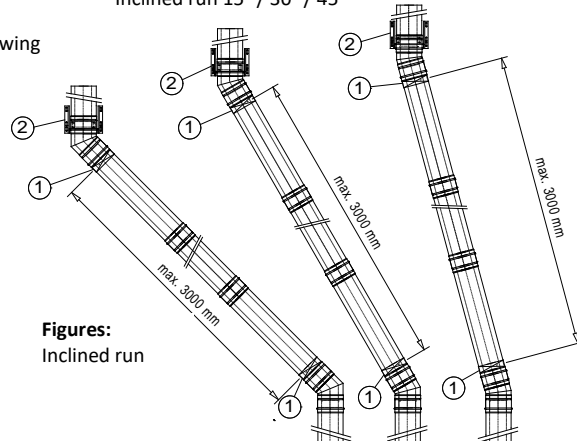
6) Inclined run

If the exhaust gas system is to be moved, the maximum dimensions of the following drawing (see Figure) should be observed. Please also note that after an offset intermediate supports with wall brackets have to be used (see Figure).



- ① Attachment with wall spacer
- ② Intermediate support and wall bracket

Inclined run 15° / 30° / 45°



Figures:
Inclined run

Attention:

Please note that during high exhaust gas temperatures and / or great lengths, ahead of an inclined run appropriate actions have to be taken to compensate the thermal elongation e.g. with a compensator. Please consider that the clean-out openings have to be taken to compensate the thermal elongation e.g. with a compensator (in Germany DIN V 18160-1).

7) Wall spacers

The wall spacers act as fixation of the exhaust gas system at the wall or at steel-support constructions.

The rigid wall spacer has a wall space of 50 mm. The adjustable wall spacers are used at bigger wall distances.

Basically a wall spacer has to be attached above every tee piece.

The maximum distances between the single attachments and the dowel-connection strengths have to be observed at all wall attaching bands.

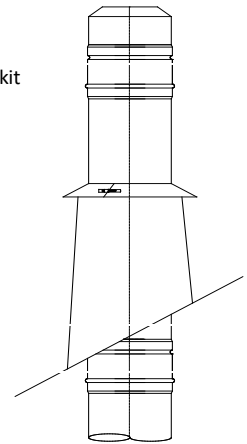
The supports should always be mounted near to an element surge.

8) Flashing kit

Flashing kits are available for all slopes (with grading of 10°, with sealing zones made of stainless steel or lead). These guarantee the temperature-independent linear expansion of the chimney. The storm collar (included in scope of delivery) has to be screwed to the chimney element and to be sealed (see Figure). To achieve a suffice ventilation in the roof area the storm collar has to be fixed about 3 cm above of the stainless steel flashing kit.

Note: However the storm collar must not be mounted on the locking band above the roof flashing!

Figure:
Flashing kit



9) Connecting line

In case of a humid operation in the connecting line, at least 3° slope to the heat generator is to be laid. The resulting condensate can be dissipated via this, if this is suitable, otherwise measures must be taken to ensure to complete drainage of the condensate, e.g. by a condensation trap with siphon.

Before the assembly the execution of the chimney system has to be clarified with the concerned district chimney sweeper.

Technical changes and mistake reserved.



Lessingstraße 20 · 63110 Rodgau
Tel.: +49 (0) 37600 56398 0 · Fax: +49 (0) 37600 56398 2
mail@tecnovis.de · www.tecnovis.de